

2020  
PRODUCTS

Product Catalogue  
**Jet Diffuser**



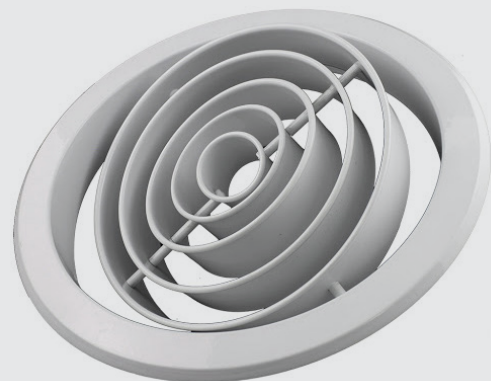
**Khedr Trust**  
ALL AIR PRODUCTS

Jet Diffuser products are manufactured by



“Your comfort is  
our priority”

[www.khedr-eg.com](http://www.khedr-eg.com)





### Models

- JD  
JD-PB "With Plenum Box"



### Finish

- Standard Finish - White



### Features

- Four sizes are available  $\varnothing 8"$  to  $\varnothing 14"$  to enhance control of sound levels.
- One to Four no. of jet units assemblies to meet the requirements of large air amounts.
- Optional Built-in plenum box.  
Rectangular damper mounted in plenum box, or Butterfly round damper mounted in jet neck.



## Jet Diffuser

### Model Use

Khedr Model JD is suitable for Long Throw & Large air volumes air distribution.

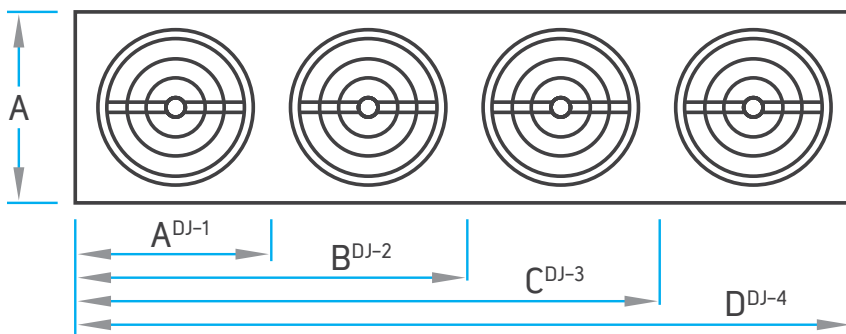
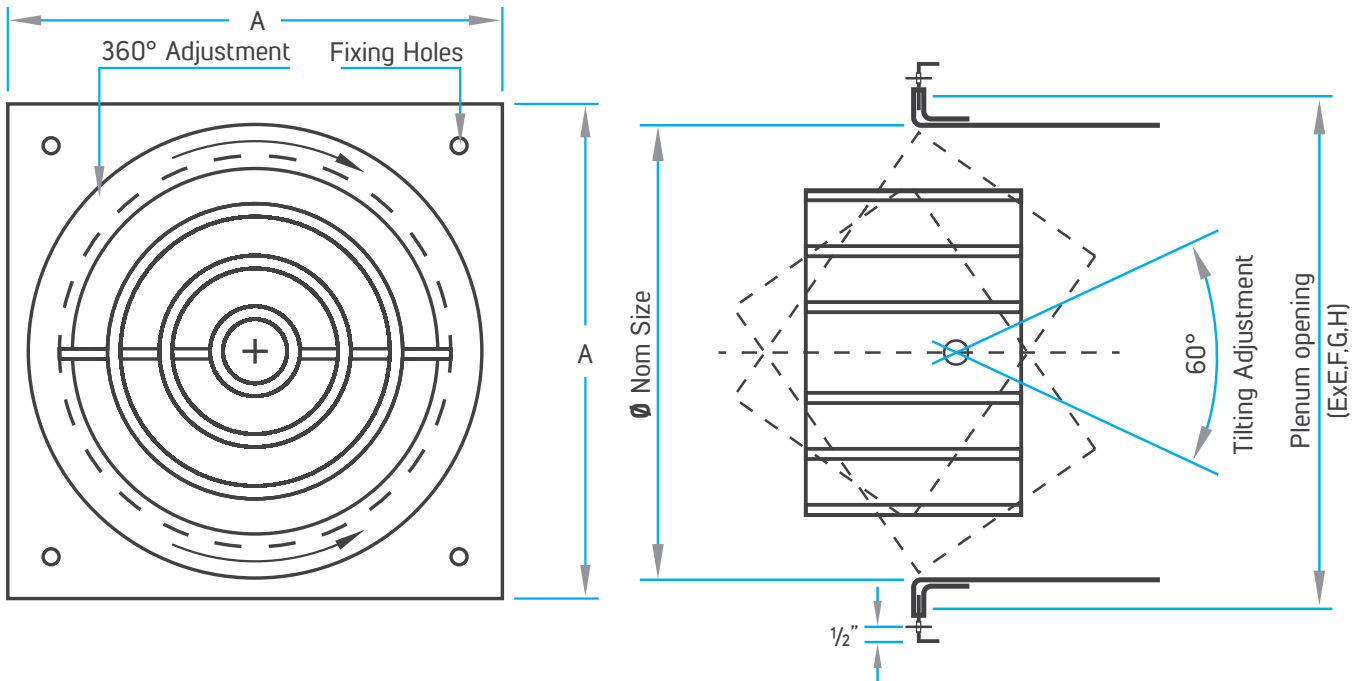
### Unit Design

It is ideal solution for high ceiling applications such as Industrial & sports hall.

### Appearance

Directional control enables air to directed vertical or horizontally with 360 rotation of mounting plate.

**- Dimensions**



Size	JD 1		JD 2		JD 3		JD 4	
	Jet Size	Plenum Size	Jet Size	Plenum Size	Jet Size	Plenum Size	Jet Size	Plenum Size
Nom. Size	A x A	E x E	A x B	E x F	A x C	E x G	A x D	E x H
Ø 8	14 x 14	12 x 12	14 x 26	12 x 24	14 x 38	12 x 36	14 x 50	12 x 48
Ø 10	16 x 16	14 x 14	16 x 30	14 x 28	16 x 44	14 x 42	16 x 58	14 x 56
Ø 12	18 x 18	16 x 16	18 x 34	16 x 32	18 x 50	16 x 66	18 x 66	16 x 64
Ø 14	20 x 20	18 x 18	20 x 38	18 x 36	20 x 56	18 x 54	20 x 74	18 x 72

Jet Diffuser products are manufactured by Khedr Trust Co.

## - Performance data

- Nominal Size  $\varnothing$  8

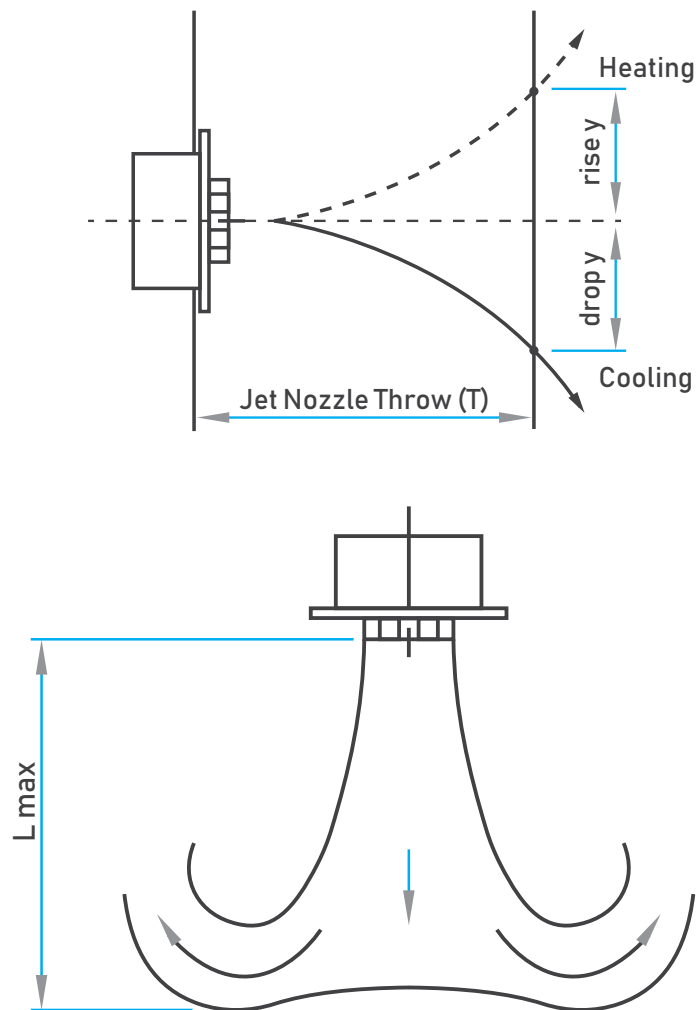
CFM	No. of JD	$P_s$	Throw (T)	Projection (L)	NC
100	1	0.02	20	23	25
200	1	0.06	28	32	25
300	1	0.13	32	37	33
	2	0.04	28	32	23
400	1	0.24	40	46	42
	2	0.06	27	31	28
500	1	0.37	50	58	51
	2	0.10	30	35	35
	3	0.04	20	30	24
600	2	0.13	38	44	36
	3	0.06	30	35	29
	4	0.04	26	30	26
700	2	0.18	40	46	42
	3	0.09	35	40	34
	4	0.05	29	33	29
800	2	0.24	46	53	45
	3	0.10	38	44	36
	4	0.06	32	37	31
900	2	0.30	50	58	48
	3	0.13	40	46	37
	4	0.08	35	40	35
1000	3	0.16	48	55	41
	4	0.10	37	43	38
1200	3	0.24	50	58	48
	4	0.13	42	48	39

Jet Diffuser products are manufactured by Khedr Trust Co.

- Nominal Size  $\phi$  8 - continued

CFM	No. of JD	$P_s$	Throw (T)	Projection (L)	NC
1400	3	0.31	58	67	50
	4	0.81	48	55	45
1600	4	0.24	54	62	48
1800	4	0.30	60	69	51

Jet Diffuser products are manufactured by Khedr Trust Co.



- CFM Cubic feet per Minute
- $P_s$  Static Pressure "Inch Water"
- NC re 8db room
- T Throw "Feet" @ $\Delta 20$  F,  $V_T = 50$  FPM
- L Projection "Feet" @ $\Delta 20$  F,  $V_T = 50$  FPM
- $V_T$  Terminal Velocity "FPM"

- Nominal Size  $\phi$  10

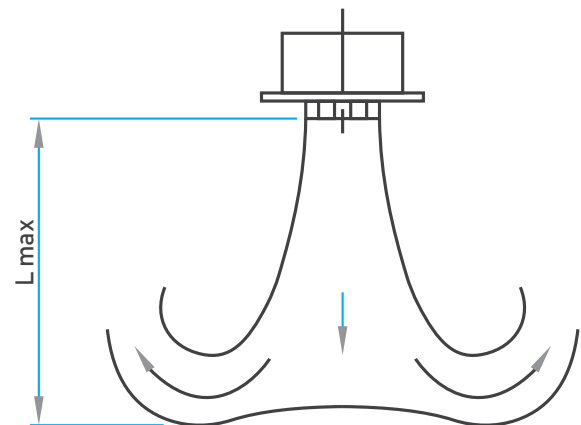
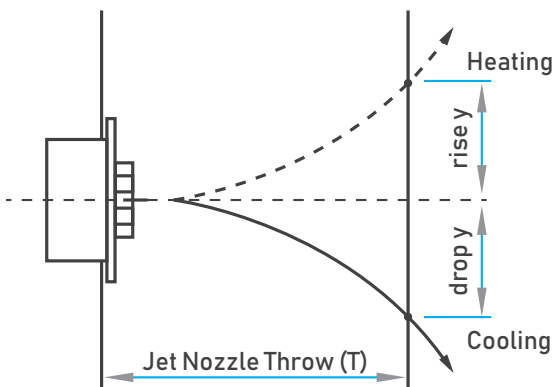
CFM	No. of JD	$P_s$	Throw (T)	Projection (L)	NC
300	1	0.03	24	28	18
400	1	0.06	33	38	26
500	1	0.09	40	46	32
600	1	0.13	50	58	36
	2	0.03	26	30	21
700	1	0.18	57	65	41
	2	0.05	33	38	26
800	1	0.24	60	69	44
	2	0.06	37	42	29
900	1	0.30	70	80	47
	2	0.08	40	46	32
1000	1	0.36	80	92	49
	2	0.09	47	54	34
	3	0.04	33	38	26
1200	1	0.52	90	103	54
	2	0.13	52	60	39
	3	0.06	40	46	31
1400	1	0.72	100	115	58
	2	0.18	60	69	44
	3	0.08	46	53	34
	4	0.05	40	46	29
1600	2	0.24	70	80	47
	3	0.11	83	95	41
	4	0.06	40	46	32
1800	2	0.30	80	92	50
	3	0.13	57	65	39
	4	0.08	47	34	35

Jet Diffuser products are manufactured by Khedr Trust Co.

- Nominal Size  $\phi$  10 - continued

CFM	No. of JD	$P_s$	Throw (T)	Projection (L)	NC
2000	2	0.36	93	107	52
	3	0.16	60	69	44
	4	0.09	50	58	37
2200	2	0.44	97	111	55
	3	0.20	70	80	47
	4	0.11	57	65	40
2400	3	0.23	77	88	49
	4	0.13	60	69	42
2600	3	0.27	80	92	50
	4	0.16	60	69	44
2800	3	0.32	83	95	52
	4	0.18	67	77	46
3000	3	0.37	93	107	54
	4	0.21	70	80	48
3500	4	0.28	80	92	52
4000	4	0.37	97	112	55

Jet Diffuser products are manufactured by Khedr Trust Co.



- CFM Cubic feet per Minute
- $P_s$  Static Pressure "Inch Water"
- NC re 8db room
- T Throw "Feet" @ $\Delta 20$  F,  $V_T = 50$  FPM
- L Projection "Feet" @ $\Delta 20$  F,  $V_T = 50$  FPM
- $V_T$  Terminal Velocity "FPM"



- Nominal Size  $\phi$  12

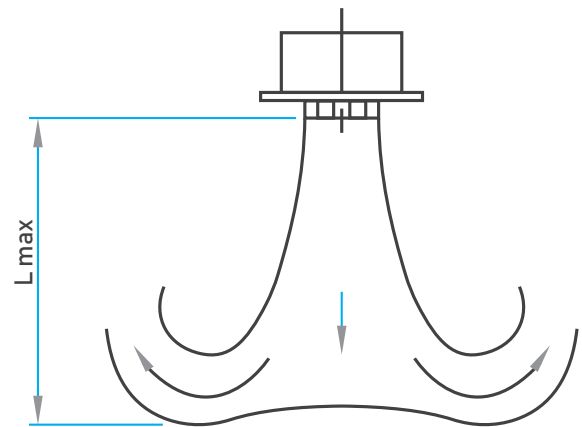
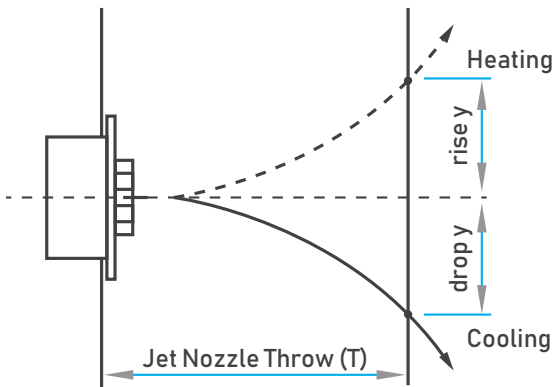
CFM	No. of JD	$P_s$	Throw (T)	Projection (L)	NC
500	1	0.04	37	42	28
600	1	0.06	47	54	28
700	1	0.08	50	58	32
800	1	0.10	57	65	35
900	1	0.13	60	69	38
1000	1	0.16	70	80	40
	2	0.04	40	46	26
1200	1	0.23	80	92	45
	2	0.06	47	54	31
1400	1	0.32	93	106	49
	2	0.08	50	58	35
1600	2	0.41	110	125	52
	3	0.10	60	69	38
	4	0.05	47	54	29
1800	2	0.13	70	80	41
	3	0.06	50	58	32
2000	2	0.16	80	92	43
	3	0.07	57	65	34
	4	0.04	44	50	29
2400	2	0.23	93	106	48
	3	0.10	67	77	39
	4	0.06	50	64	34
2600	2	0.27	97	110	50
	3	0.12	70	80	41
	4	0.07	57	65	36
2800	2	0.32	100	115	52
	3	0.14	77	88	43
	4	0.08	60	69	38

Jet Diffuser products are manufactured by Khedr Trust Co.

- Nominal Size  $\phi$  12 - continued

CFM	No. of JD	$P_s$	Throw (T)	Projection (L)	NC
3000	2	0.36	112	128	53
	3	0.16	80	92	44
	4	0.09	67	77	39
3500	3	0.22	93	106	48
	4	0.12	70	80	43
4000	3	0.28	106	120	51
	4	0.16	87	100	46
4500	3	0.36	115	130	54
	4	0.20	93	106	49
5000	4	0.25	106	120	52
6000	4	0.36	124	142	56

Jet Diffuser products are manufactured by Khedr Trust Co.



- CFM Cubic feet per Minute
- $P_s$  Static Pressure "Inch Water"
- NC re 8db room
- T Throw "Feet" @ $\Delta 20$  F,  $V_T = 50$  FPM
- L Projection "Feet" @ $\Delta 20$  F,  $V_T = 50$  FPM
- $V_T$  Terminal Velocity "FPM"

- Nominal Size  $\phi$  14

CFM	No. of JD	$P_s$	Throw (T)	Projection (L)	NC
700	1	0.06	40	46	23
800	1	0.08	47	54	26
900	1	0.10	50	58	29
1000	1	0.12	57	65	33
1200	1	0.18	67	77	37
1400	1	0.24	80	92	41
	2	0.06	47	54	26
1600	1	0.32	93	106	43
	2	0.08	50	58	29
1800	1	0.46	100	115	46
	2	0.10	60	69	32
2000	1	0.50	112	128	48
	2	0.12	67	77	35
2200	1	0.60	123	140	51
	2	0.16	70	80	36
	3	0.08	50	58	27
2400	1	0.70	130	150	53
	2	0.18	80	92	39
	3	0.08	57	65	29
2600	1	0.80	140	160	55
	2	0.22	87	100	40
	3	0.10	60	69	31
2800	1	0.90	155	175	56
	2	0.26	93	106	42
	3	0.12	67	77	33

Jet Diffuser products are manufactured by Khedr Trust Co.

- Nominal Size  $\phi$  14 - continued

CFM	No. of JD	$P_s$	Throw (T)	Projection (L)	NC
3000	1	1.00	160	184	60
	2	0.28	100	115	46
	3	0.12	70	80	37
	4	0.08	57	65	32
3500	2	0.36	112	128	53
	3	0.16	80	92	44
	4	0.09	67	77	39
4000	2	0.50	115	130	52
	3	0.22	80	92	43
	4	0.12	70	80	38
4500	2	0.62	132	150	55
	3	0.24	106	120	46
	4	0.16	80	92	41
5000	2	0.74	155	175	59
	3	0.32	115	130	50
	4	0.20	93	106	45
6000	2	1.00	190	215	63
	3	0.50	136	156	54
	4	0.28	106	120	49
7000	3	0.66	165	190	56
	4	0.38	125	140	52
8000	3	0.84	185	210	60
	4	0.50	145	165	55

Jet Diffuser products are manufactured by Khedr Trust Co.

CFM Cubic feet per Minute  
 $P_s$  Static Pressure "Inch Water"  
 NC re 8db room

T Throw "Feet" @. 20 F ,  $V_T = 50$  FPM  
 L Projection "Feet" @. 20 F ,  $V_T = 50$  FPM  
 $V_T$  Terminal Velocity "FPM"

**- Selection Procedure**

1. Determine the required CFM per each outlet as per cooling Load Calculation.
2. Determine the Throw / Projection required.
3. Select the suitable size & no. of JD that give the required CFM & Throw / projection from performance data tables.

**- Selection Procedure Example**

1. Required 1000 CFM as per cooling load calculations.
2. Required Throw = 40 ft.
3. The size of shall be :
  - A. No of JD = 3 , size  $\phi$  8.
  - B. No of JD = 2 , size  $\phi$  12.
  - C. No of JD = 1 , size  $\phi$  14.

Nom. Size	No. of JD	No. of JD	$P_s$	Throw (T)	Projection (L)	NC
$\phi$ 8	1000	3	0.16	48	55	41
		4	0.10	37	43	38
$\phi$ 12	1000	1	0.16	70	80	40
		2	0.04	40	46	26
$\phi$ 14	1000	1	0.12	57	65	33

Jet Diffuser products are manufactured by Khedr Trust Co.

**- How to order**

Type	JD	JD - Jet Diffuser
Plenum Box	PB	PB Plenum Box 0 No Plenum Box
No.of JD	4	1,2,3&4
Size	$\phi$ 10	$\phi$ " Inch"
Finish	1	0 Aluminum 1 White Color 2 Other Colors
Damper	0	0 Without Damper 1 With Damper

Jet Diffuser products are manufactured by Khedr Trust Co.

Other Products are provided by Khedr Trust Co.

### Diffusers & Grills

- Square Ceiling Diffuser
- Circular Ceiling Diffuser
- Jet Diffuser
- Eye Ball Diffuser
- Swirl Diffuser
- Perforated Ceiling Diffuser
- Disc Valve Diffuser
- Linear Slot Diffuser
- Linear Bar Grill
- Supply / Return Grills

### Louvers

- Aluminum Louvers
- Sand Trap Louvers

### Dampers

- Volume Damper
- Fire Damper
- Smoke Motorized Damper
- Shutter Damper

### Special Parts

- Sound Attenuator
- Plenum Box

### Duct Works

- Galvanized Steel Duct
- Black Steel Duct
- Stainless Steel Duct
- Spiral Duct
- Flexible Duct
- Canvas
- Flanges



# Khedr Trust

ALL AIR PRODUCTS



Alqanater Alkhairia roads.Industrial Area, Behind Cocacola Co., Cairo, Egypt

Mailing Address : P.O.Box 13621, Cairo 11511 - Egypt

Tel : +202 42452022

Mob : +2010 29999054 / +2010 29999056

+2010 29999057 / +2010 29999058

E-Mail : info@khedr-eg.com

[www.khedr-eg.com](http://www.khedr-eg.com)

